



# INSTRUCTIONS

-J04715

REV. 2008-05-22

## MID-FRAME AIR DEFLECTORS

### GENERAL

#### Kit Number

58002-09

#### Models

For model fitment information, see the P&A Retail Catalog or the Parts and Accessories section of [www.harley-davidson.com](http://www.harley-davidson.com) (English only).

#### Kit Contents

See Figure 3 and Table 1.

### INSTALLATION

#### NOTE

View of frame behind rear engine cylinder, engine omitted for clarity.

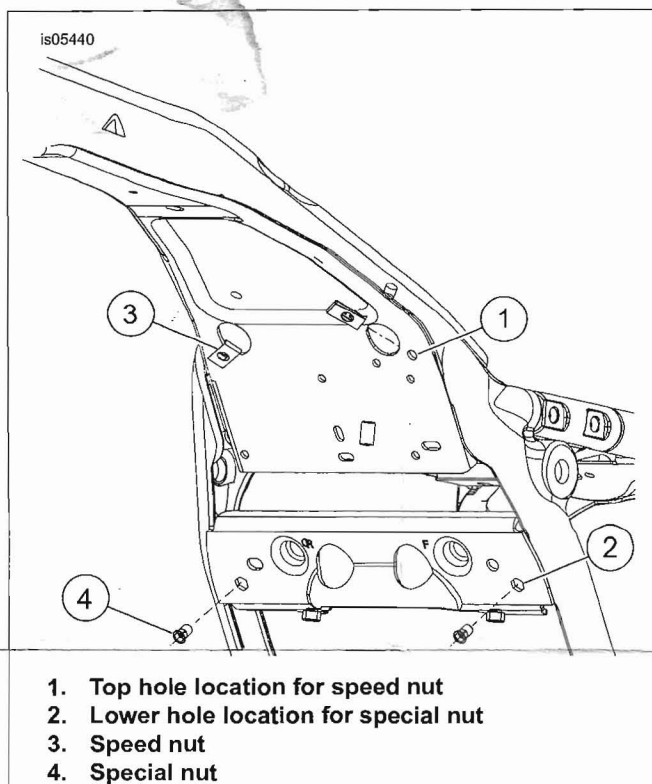


Figure 1. Fastener Locations

1. See Figure 1 and identify the frame hole locations that will be used to fasten the air deflector hardware. Install speed nut (3) clips over hole (1) and special nut (4) inserts into hex hole (2).

2. See Figure 3 and Table 1 and install special nuts as follows:
  - a. Install washer (2) to screw (1) and insert screw fully into the special nut (4).
  - b. Insert the nut, washer and screw assembly into one of the two lower hex shaped holes from the underside of the frame crossmember plate. Press the screw assembly firmly into place against the plate and tighten screw to 60 in-lbs (6.8 Nm) (approximately 2-1/2 turns).
  - c. Remove the screw and washer and use them to repeat the process for the opposite hex shaped hole. Retain the screw and washer.

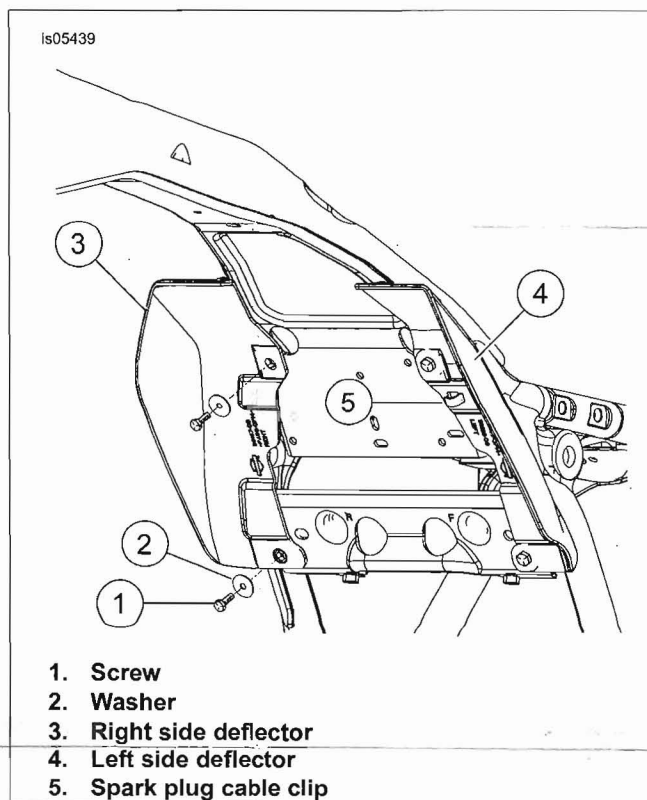


Figure 2. Installing air deflectors

3. See Figure 2. Clip the speed nuts (3) through the large hole with the flat side on the underside of the frame plate, and align the threaded holes to the small mounting holes in the plate.

#### NOTE

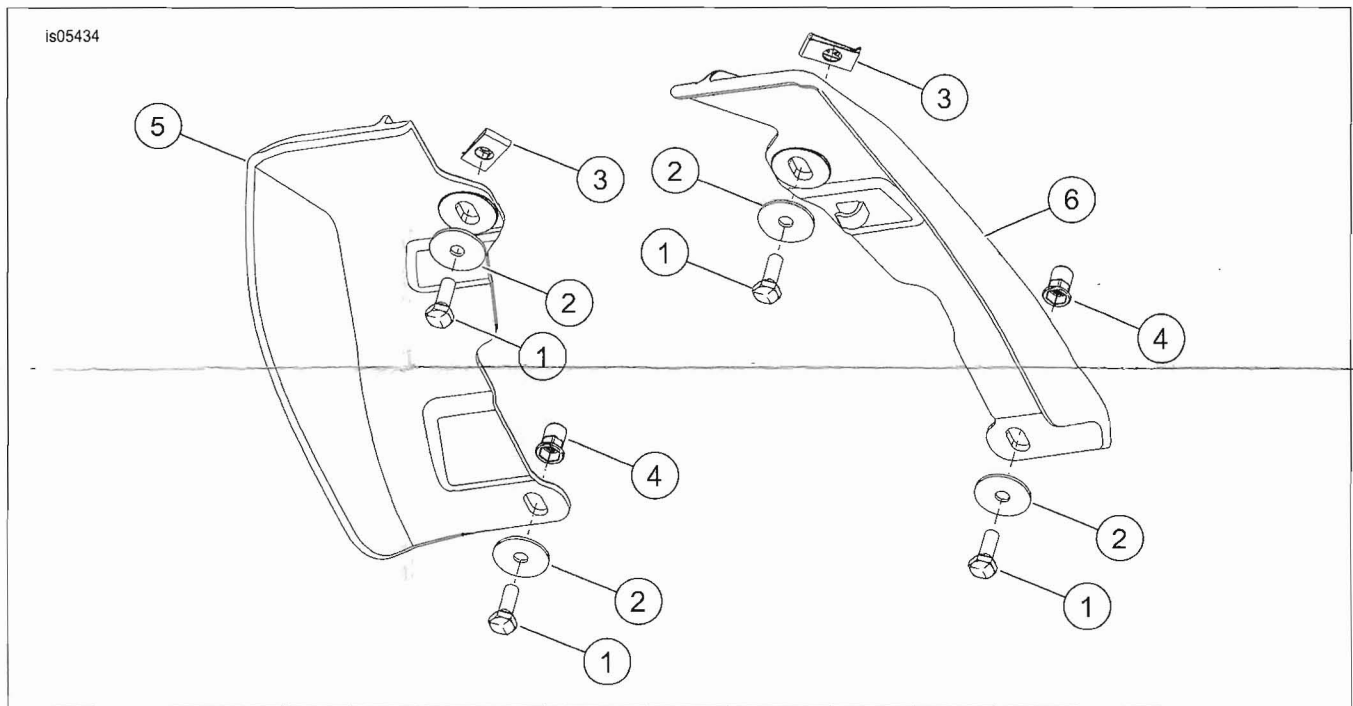
Do not use Loctite on the fasteners used to secure the mid-frame air deflectors to the frame. If Loctite contacts the air deflectors, damage will occur.

4. Install a washer (2) to a screw (1) and install the screw through the top mounting hole in the right side deflector from the underside of the frame into a speed nut (3) attached to the frame. Do not tighten at this time.
5. Install a washer to a screw and install the screw through the lower mounting hole into the special nut (4).
6. Firmly push the deflector against the outer frame and tighten the screws to **25-35 in-lbs** (2.8-3.9 Nm).
7. Remove rear spark plug wire retainer and discard.
8. Position the left deflector behind the spark plug wire and evaporative tube (if present). Install the deflector using screws and washers. Do not tighten.

**For motorcycles equipped with an adjustable rider backrest kit:**

- a. Remove the backrest actuator bracket assembly mounting screw and washer. Save for reuse in Step C.
  - b. Position the left side mid-frame air deflector **between** the frame and the backrest actuator bracket assembly.
  - c. Install the previously removed screw and washer through the bracket and upper deflector mounting hole and into the frame speed nut. Do not tighten.
  - d. Use a screw and washer from the kit in the lower deflector mounting hole. Do not tighten.
9. Firmly push the deflector against the outer frame and tighten the screws to **25-35 in-lbs** (2.8-3.9 Nm).
  10. See Figure 2. Clip the rear spark plug wire to the left deflector using the clip (5) molded into the deflector.

**SERVICE PARTS**



**Figure 3. Service Parts: Mid-Frame air Deflectors**

**Table 1. Service Parts Table**

Item	Description (Quantity)	Part Number
1	Hex cap screw (4)	3787
2	Flat washer (4)	6036
3	Speed nut (2)	8108
4	Special nut (2)	8194
5	Mid-frame heat deflector, right	58167-09
6	Mid-frame heat deflector, left	58169-09